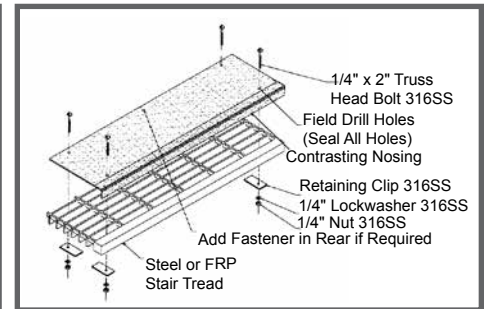
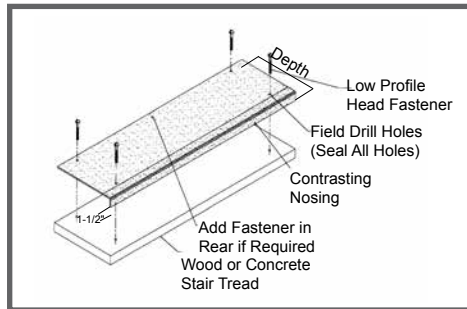
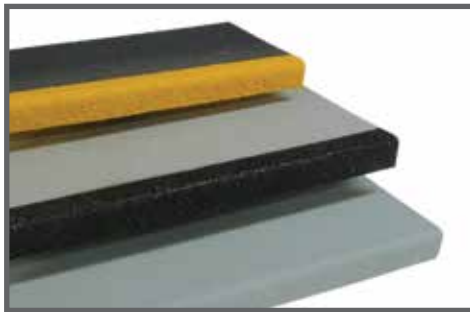


Stair Solutions - Stair Tread Covers

Fiberplate® Stair Tread Covers

Fiberplate® stair tread covers are a convenient way to provide solid, slip resistant footing for existing treads that are still structurally sound. Stair tread covers may be installed over wood, concrete or metal steps. Standard color is dark gray with a highly visible safety yellow nosing for industrial applications and light gray for architectural applications.

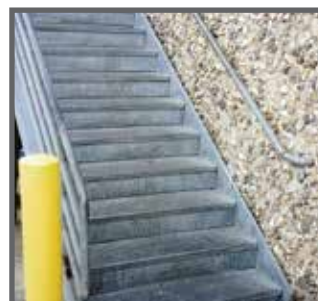
An integral aluminum oxide grit-top surface provides secure footing for maximum safety and a highly durable tread. Reinforced with a woven glass mat for durability and impact resistance, these tread covers come in 8", 9", 10", 11" and 12" depths. The standard thickness is 1/8" with 1/4" thick covers available for heavy duty applications. Standard 12' panels are easily cut to size during installation, or are available precut to custom lengths.



Phosphorescent Nosing

Fiberplate stair tread covers can be ordered with a special phosphorescent coating for the nosing area, causing it to glow even after the primary light source has been removed. The special nosing is perfect in stairways which serve as emergency exits during power outages, outdoor access ways where lighting is periodically dimmed as in arenas and concert halls, or as a safety measure for nighttime operation in outdoor applications such as on passenger ships. This special nosing has been tested in accordance with ISO/TC 8/SC 1 N. Ships and Marine Technology — Low Location Lighting on Passenger Ships. The standard color for tread covers with phosphorescent coating is yellow.

Fiberplate stair tread covers were used over existing aluminum stairs at a UPS facility in Dallas, Texas. The original stairs were worn and unsafe. In addition, the stairway was not well lit, making it potentially hazardous when used by workers at night. The grit-top surface of Fiberplate tread covers provided slip resistance and the yellow nosing on the treads made them more visible at night, making it safe for workers.



Before



After